

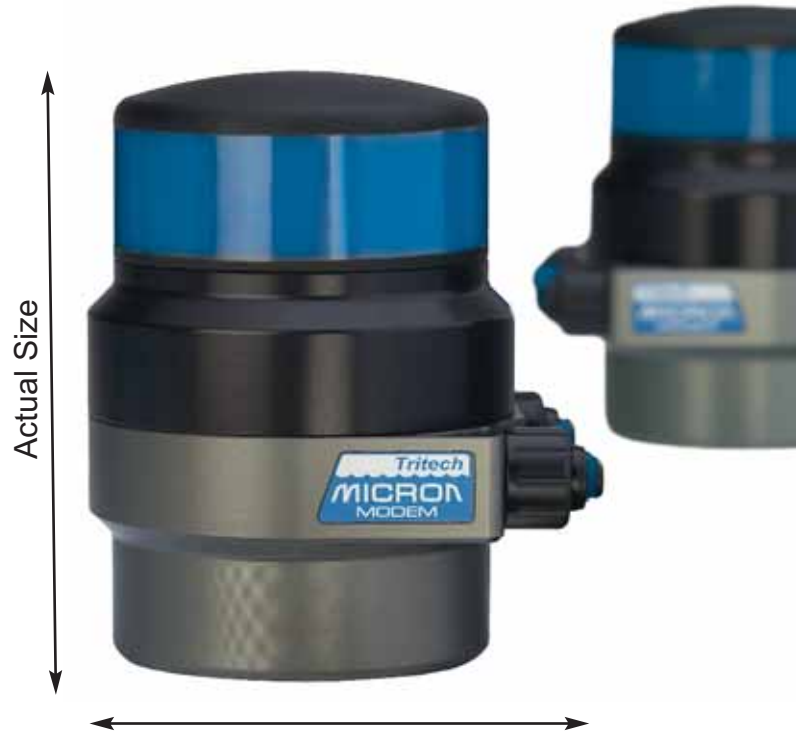
Micron Data Modem

Features

- Compact size
- Multipath and noise rejection for use in shallow water
- Exceptionally low error rate
- Low power consumption

Applications

- All low data rate through-water communications
- AUV control and data collection

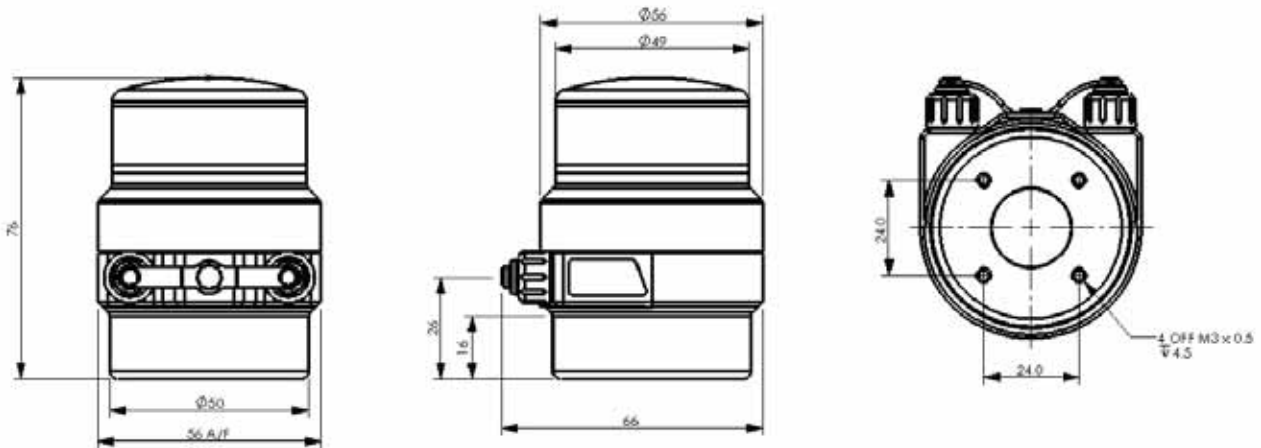


The Micron Modem is an exciting new development in the field of through-water communications. It provides robust spread spectrum data transmission from an extremely compact and low cost unit.

Due to its miniature size and low weight, the Micron Modem is suitable for a host of potential subsea data transfer applications that were previously impractical or uneconomic with larger, more expensive systems.

The system is able to transmit a maximum data rate of 40 bits per second, making it suitable for a range of through-water, low data transfer requirements.

Specifications



Data Rate:	40bps (Spread spectrum)
Frequency Band:	20 - 24kHz - Standard
Range:	500m horizontal, 150m vertical (typical)
Transmitter Source Level:	169dB re 1uPa @ 1m
Doppler tolerance:	$\pm 5\text{ms}^{-1}$
Minimum SNR	-6dB (in band)
Multipath rejection	Maximum delay spread of 10 - 100ms
Ranging:	Integral range function with 0.1m resolution over full range and +0.2m accuracy (system timing accuracy - assuming correct velocity of sound (VoS)).
Interface:	RS232 or RS485
Power Consumption:	7.92W (330mA @ 24V) transmitting 720mW (30mA @ 24V) receiving
Depth Rating:	750m
Input Power Supply:	12 – 24V DC

All specifications are subject to change in line with Tritech's policy of continual product development.

Ref: EDS-MOD-002.2

Tritech International Limited

Peregrine Road • Westhill Business Park • Aberdeen
AB32 6JL • United Kingdom

T: +44 (0)1224 74411 F: +44 (0)1224 741771

E-mail: sales@tritech.co.uk
Website: www.tritech.co.uk

Marketed by: