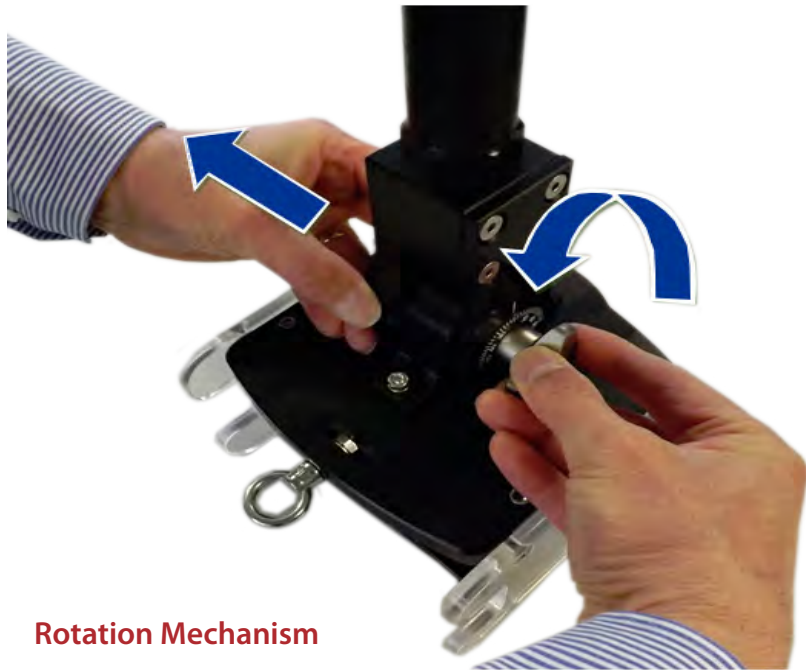


Pole Mount System

for the Micron Gemini, 720is, 720ik and 1200ik multibeam imaging sonars



Rotation Mechanism

- Loosen Knob a couple of turns
- Use other hand to pull the pole mount fixture to disengage the clamping ring assembly
- Rotate to required position, re-engage clamping ring assembly, taking care to mate crest and trough
- Re-tighten knob but do not over-tighten.

Note: After use, clean down and apply a dab of grease to fixings to prevent 'firing':

1. Knob & M8 socket head cap screw
2. Sonar / Brace fixings M5 socket head cap screws



Quick Guide

An easy to deploy, lightweight mounting solution for rapid imaging results



www.tritech.co.uk

Tritech International Limited

Peregrine Road, Westhill Business Park, Westhill,
Aberdeenshire AB32 6JL,
Scotland, United Kingdom
Email: sales@tritech.co.uk
Tel: +44 (0) 1224 744111

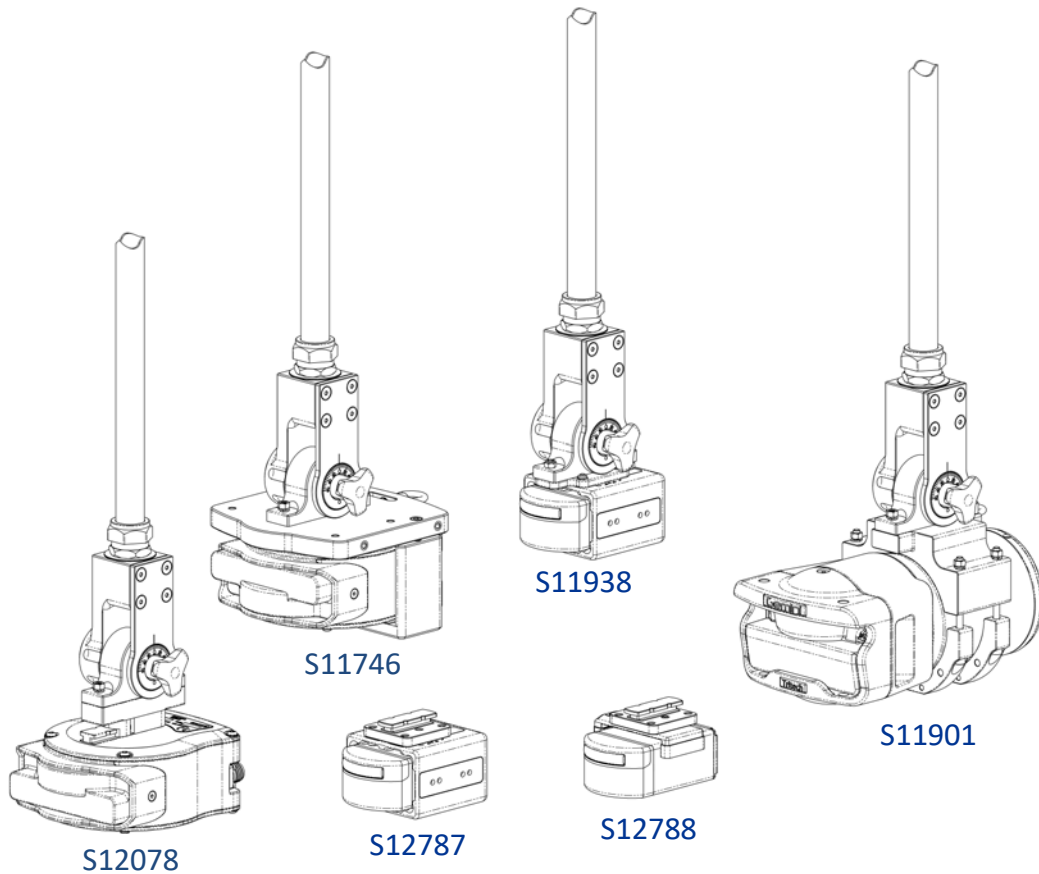
0742-SOM-00003 Issue 04



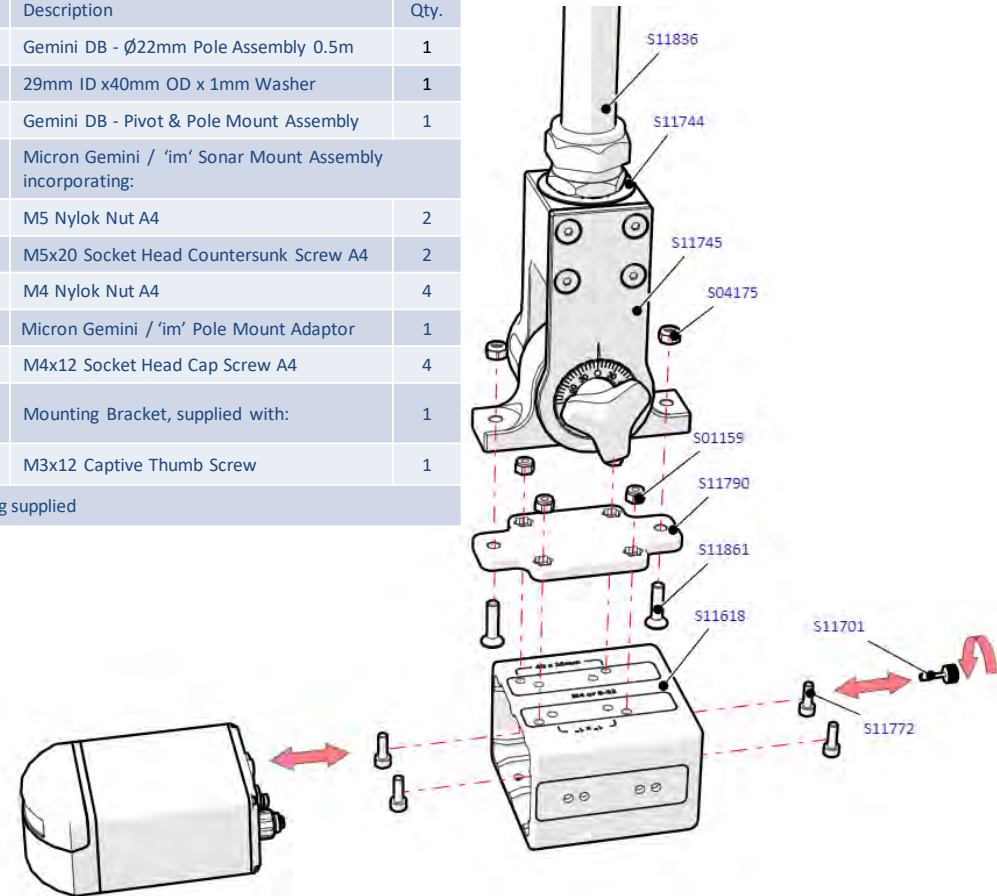
Gemini Pole Mount Deployment Options

S11938 Micron Gemini Pole Mount Bracket

System Components - Pole Mount Adaptors

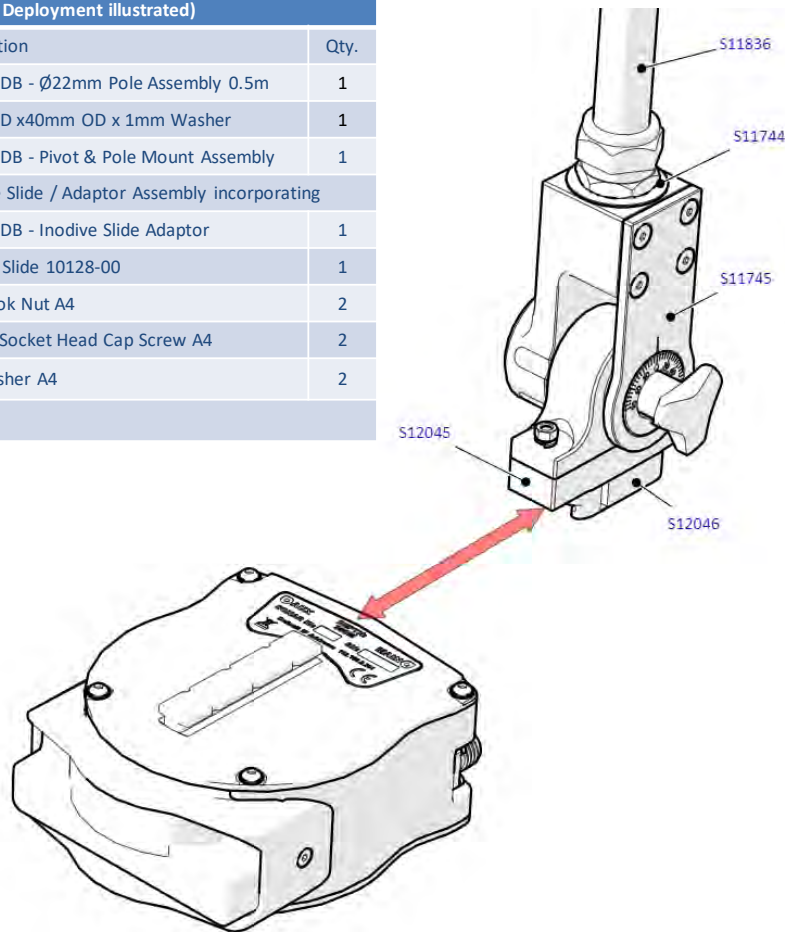


S11938 Micron Gemini / 'im' Deployment - Pole Mount Bracket		
Item No.	Description	Qty.
S11836	Gemini DB - Ø22mm Pole Assembly 0.5m	1
S11744	29mm ID x40mm OD x 1mm Washer	1
S11745	Gemini DB - Pivot & Pole Mount Assembly	1
S11937	Micron Gemini / 'im' Sonar Mount Assembly incorporating:	
S04175	M5 Nylok Nut A4	2
S11861	M5x20 Socket Head Countersunk Screw A4	2
S01159	M4 Nylok Nut A4	4
S11790	Micron Gemini / 'im' Pole Mount Adaptor	1
S11772	M4x12 Socket Head Cap Screw A4	4
S11618 ASSY	Mounting Bracket, supplied with:	1
S11701	M3x12 Captive Thumb Screw	1
No Tooling supplied		



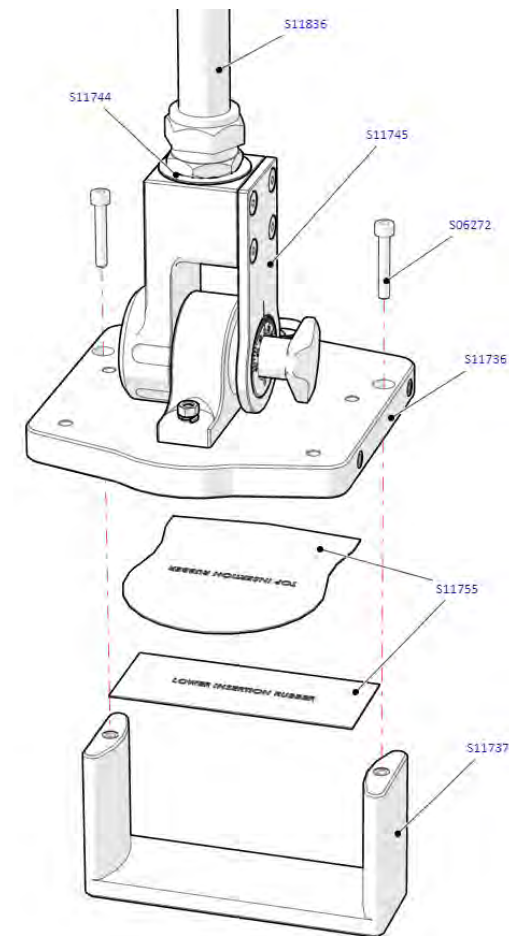
S12078 Gemini 'ik' Inodive Interface Pole Mount Bracket

S12078 Gemini Deployment – Inodive Interface Pole Mount Bracket (Gemini 'ik' Deployment illustrated)		
Item No.	Description	Qty.
S11836	Gemini DB - Ø22mm Pole Assembly 0.5m	1
S11744	29mm ID x40mm OD x 1mm Washer	1
S11745	Gemini DB - Pivot & Pole Mount Assembly	1
S12047	Inodive Slide / Adaptor Assembly incorporating	
S12045	Gemini DB - Inodive Slide Adaptor	1
S12046	Inodive Slide 10128-00	1
S01159	M4 Nylok Nut A4	2
S12071	M4x16 Socket Head Cap Screw A4	2
S06309	M4 Washer A4	2
No Tooling supplied		



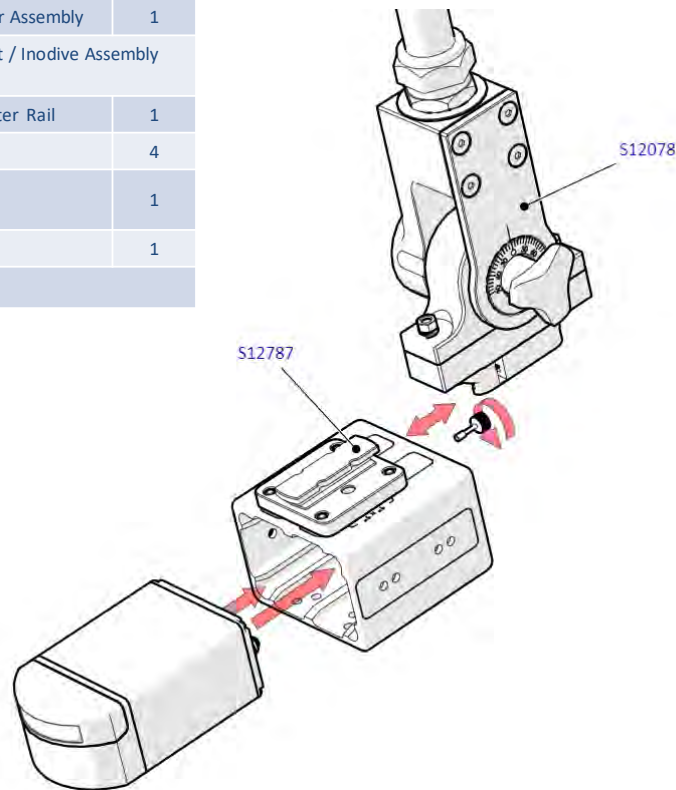
S11746 Gemini 'ik' Pole Mount Bracket

S11746 Gemini ik Deployment- Pole Mount Bracket		
Item No.	Description	Qty.
S11836	Gemini DB - Ø22mm Pole Assembly 0.5m	1
S11744	29mm ID x40mm OD x 1mm Washer	1
S11745	Gemini DB - Pivot & Pole Mount Assembly	1
S11935	Gemini ik Sonar Mount Assembly incorporating key components:	
S06272	M5x30mm Socket Head Cap Screw A4	2
S11736	Sonar Mount Top Plate	1
S11755	Insertion Rubber kit – Top and Base	2
S11737	Sonar Mount - Brace	1
Tooling supplied: S11944 4mm L shape Long Arm Ball Point Hex Key		
S11737 can be supplied for ROV type mount		



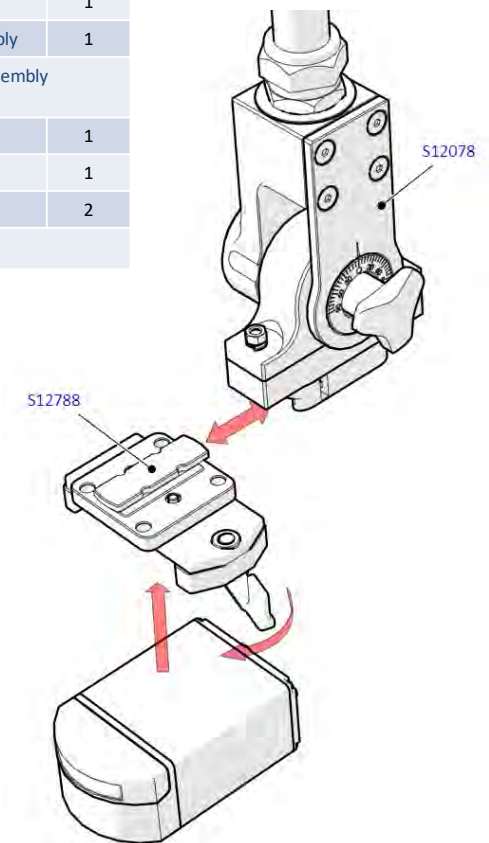
Micron Gemini / 'im' Deployment – Vice Bracket / Inodive Mount Bracket

Micron Gemini / 'im' Deployment – Vice Bracket / Inodive Mount		
Item No.	Description	Qty.
S12078	Gemini Deployment – Inodive Interface Pole Mount Bracket incorporating:	
S11836	Gemini DB - Ø22mm Pole Assembly 0.5m	1
S11744	29mm ID x40mm OD x 1mm Washer	1
S12047	Gemini DB - Inodive Slide / Adaptor Assembly	1
S12787	Micron Gemini – Mounting Bracket / Inodive Assembly incorporating:	
S11791	Micron Gemini / 'im' Inodive Adapter Rail	1
S00052	M4x10 Socket Head Cap Screw A4	4
S11618 ASSY	Mounting Bracket, supplied with:	1
S11701	M3x12 Captive Thumb Screw	1
No Tooling supplied		



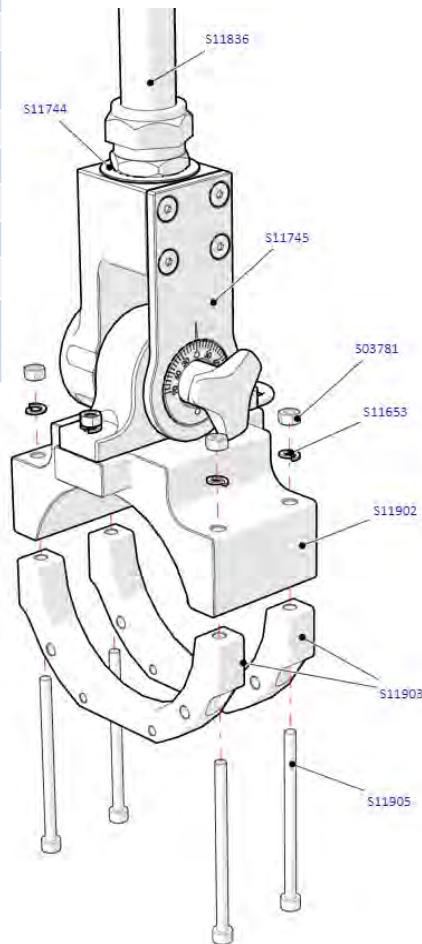
Micron Gemini / 'im' Deployment – Vice Bracket / Inodive Mount Bracket

Micron Gemini / 'im' Deployment – Vice Bracket / Inodive Mount		
Item No.	Description	Qty.
S12078	Gemini Deployment – Inodive Interface Pole Mount Bracket incorporating:	
S11836	Gemini DB - Ø22mm Pole Assembly 0.5m	1
S11744	29mm ID x40mm OD x 1mm Washer	1
S12047	Gemini DB - Inodive Slide / Adaptor Assembly	1
S12788	Micron Gemini – Vice Bracket / Inodive Assembly incorporating:	
S11791	Micron Gemini / 'im' Inodive Adapter Rail	1
S11886	Micron Gemini / 'im' Vice Assembly	1
S00052	M4x10 Socket Head Cap Screw A4	2
No Tooling supplied		



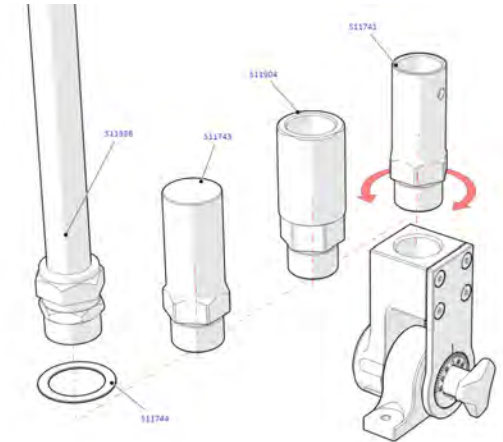
S11901 Gemini 720is Pole Mount Bracket

S11901 Gemini is Deployment - Pole Mount Bracket		
Item No.	Description	Qty.
S11836	Gemini DB - Ø22mm Pole Assembly 0.5m	1
S11744	29mm ID x40mm OD x 1mm Washer	1
S11745	Gemini DB - Pivot & Pole Mount Assembly	1
S11936	Gemini is Sonar Mount Assembly incorporating key components:	
S03781	M5 Nut A4	4
S11653	M5 Spring Washer A4	4
S11902	Sonar Mount – Top	1
S11903	Sonar Mount – Brace	2
S11905	M5x80 Socket Head Cap Screw A4	4
Tooling supplied: S11944 4mm L shape Long Arm Ball Point Hex Key S11945 8mm A/F Combination Spanner		



Pole Mount Adapters

Items from left to right		
Item No.	Description	Qty.
S11836	Gemini DB - Ø22mm Pole Assembly 0.5m	1
S11744	29mm ID x40mm OD x 1mm Washer	1
S11743	Gemini DB - Pole Adaptor Blank	1
S11904	Gemini DB - 1 1/8"-18 UNEF Pole Adaptor	1
S11741	Gemini DB - Reach & Rescue Pole Adaptor	1
Common Interface thread: 1 1/8"-14 BSW (Whitworth) S11836: Utilises coupling / Ø22mm carbon fibre pole. S11904: Supplied in USA only S11743: Supplied for customer adaption S11741: Configured to accommodate 'sprung' pin engagement common to a range of 'Reach / Rescue' telescopic pole systems		
S11741, S11743 & S11904 have 32mm / 1 1/4" Spanner Flats incorporated. The Fitting used for S11836 has 29mm A/F on body and 32mm / 1 1/4" A/F on Compression Nut		
S11836 & S11744 supplied as standard for S11746, S11901, S11938 & S12078		



Pivot & Pole Mount Assembly



S11745 Pivot & Pole Mount Assembly		
Item No.	Description	Qty.
S11745	Pivot & Pole Mount Assembly	1
Supplied with:		
S11754	M5x30 Skt Head C'sunk Screw A4	2
S11653	M5 Spring Washer A4	2
S03781	M5 Nut A4	2